

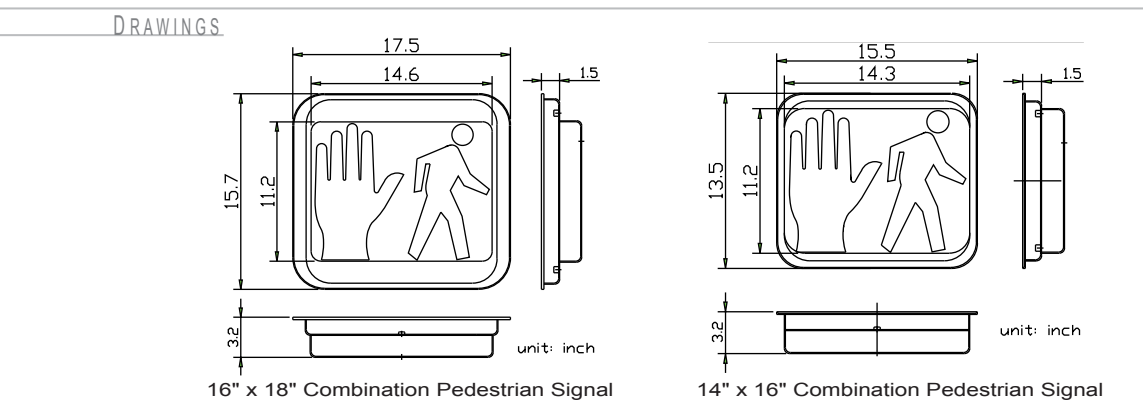
PEDESTRIAN SIGNAL SPECIFICATIONS

Specifications listed are subject to change without prior notice. All values are design specifications, or typical values when measured in laboratory environments.

SYMBOL	Symbol	Hand	Walking Person
		Filled	Filled
	Color	Portland Orange	Lunar White
	LED Material	AllnGaP	InGaN
	Power Consumption (Watts)	9.0	5.5

GENERAL	Module Size	Fits Existing Type A Housing	
	Nominal Applied Voltage	120 VAC / 60Hz	
	Operating Voltage Range	80 ~ 135 VAC / 60Hz	
	Total Harmonic Distortion (THD)	< 20%	
	Power Factor (PF)	> 0.9	
	Connect Terminal	Spade Quick Connector	
	Moisture Resistance	NEMA Type 4 Enclosure, Standard 250-1991	
	Vibration Resistance	Passing MIL-STD-883 Test Method 2007	
	Model Number	TP-16WP-1 (16" x 18")	TP-14WP-1 (14" x 16")
	Module Weight	4.6 Pounds	4.2 Pounds

ENVIRONMENTAL	Operating Temperature	-40°F ~ 165°F (-40°C ~ 74°C)
	Storage Temperature	-40°F ~ 185°F (-40°C ~ 85°C)



At Act One Communications, we strive to lead in the creation, development and manufacture of the industry's most advanced LED electronic display systems, information systems, and electronic traffic control systems. We translate these advanced technologies into value for our customers through our professional solutions and services businesses.

Act One Communications is real people solving real problems. Strategists. Implementers. People who help you make sense of technology. People who make sure the solution you want is the solution you get.

LED PEDESTRIAN SIGNAL PRODUCTS

Model No.	Description	Symbol			Power (W)		Housing Size (in.)
		Hand	Person	Countdown	Hand	Person	
TP-12C-2	Countdown	-	-	2-stroke	11.5		12 x 12
TP-12P-3	Square Module	Filled	-	-	9.0	-	12 x 12
TP-12P-2	Circular Module	Outline	-	-	5.4	-	12 Circular
TP-12W-3	Square Module	-	Filled	-	-	9.0	12 x 12
TP-12W-2	Circular Module	-	Outline	-	-	3.9	12 Circular
TP-12WP-3	Overlap	Filled	Filled	-	9.0	9.0	12 x 12
TP-14WP-1	Side by Side	Filled	Filled	-	9.0	5.5	14 x 16
TP-16WP-1	Side by Side	Filled	Filled	-	9.0	5.5	16 x 18
TP-16WP-3	Overlap	Filled	Filled	-	9.0	9.0	16 x 18
TP-16WPC-1	Overlap & Countdown	Outline	Outline	1-stroke	5.4	11.5 *	16 x 18
TP-16WPC-2	Overlap & Countdown	Filled	Filled	2-stroke	9.0	21.0 *	16 x 18

* Summation of the power consumption of both the hand symbol and the countdown digit(s).



ITE Conformance Design
Caltrans Pre-Qualified (TP-16WP-1)

ACT ONE COMMUNICATIONS

288 Mayo Avenue
City of Industry, CA 91789
tel: 888.ACTONE1 (228.6631)
626.856.8715
e-mail: info@ActOneLED.com
www.ActOneLED.com